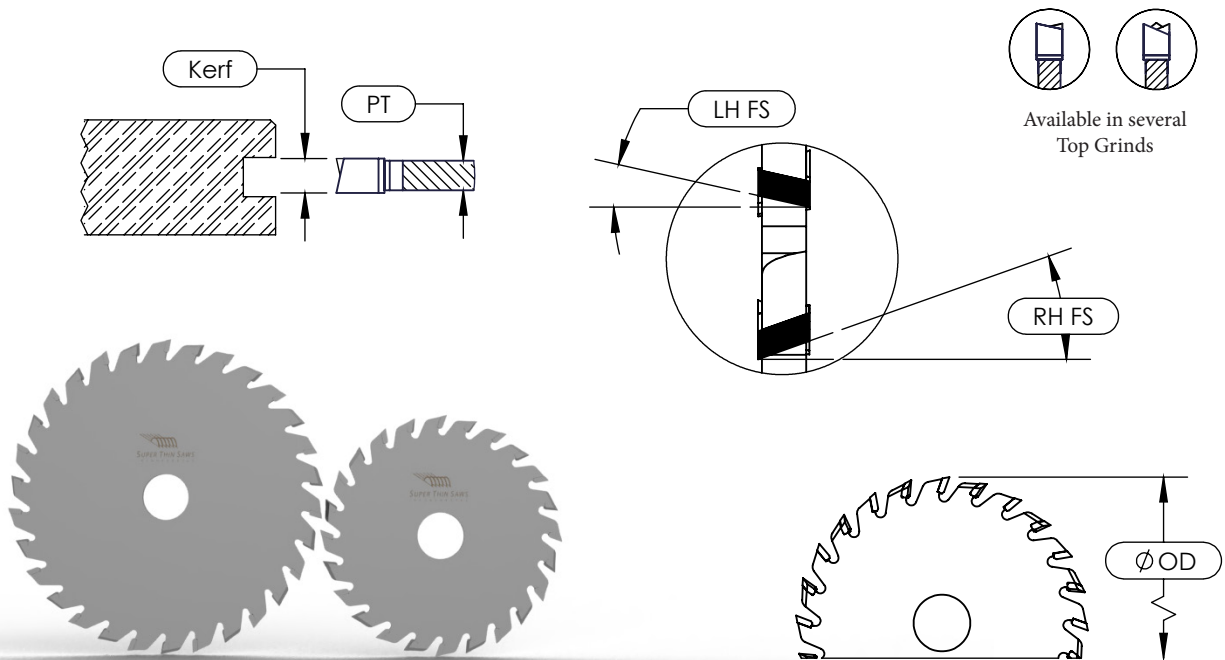


# End Matcher Tooling

## Jump Saws and Groovers



### Technical Specifications

Product Code	Kerf	OD (Outer Diameter)	Z (# of Teeth)	PT (Plate Thickness)	Flooring Type	Machine Mfr.	Ø Bore	
SP-102-012-5.34	6.35mm	.250"	4"	z12	5.34mm	Solid Wood	Doucet	40mm
SP-152-024-4.70	7.11mm	.280"	6"	z24	4.70mm	Solid Wood	OSI (Old)	25mm
SP-152-024-5.84	7.11mm	.280"	6"	z24	5.84mm	Solid Wood	OSI 2022	30mm
SP-203-030-5.84	7.04mm	.277"	8"	z30	5.84mm	Solid Wood	OSI 2022	30mm
SP-254-048-4.70	7.11mm	.280"	10"	z48	4.70mm	Pre-Finished	-	30mm
SP-254-048-4.70	7.11mm	.280"	10"	z48	4.70mm	-	-	32mm
SP-254-048-4.70	3.18mm	.125"	10"	z48	2.16mm	Eng. Flooring	Mattison	1.500"
SP-254-048-4.70	7.11mm	.280"	10"	z48	4.70mm	Eng. Flooring	Mattison	1.500"
SP-254-054-4.57	7.11mm	.280"	10"	z54	4.57mm	Eng. Flooring	Challoner Double	2.250"
SP-254-065-4.80	7.00mm	.276"	10"	z65	4.80mm	Pre-Finished	-	30mm
SP-305-056-5.60	6.76mm	.266"	12"	z56	5.60mm	-	Doucet	3.063"
SP-305-072-3.30	5.84mm	.230"	12"	z72	4.06mm	Eng. Flooring	Doucet	3.063"

**Our Straight Plate Groover Saws** are built to the tightest tolerances, raising the bar above industry standards for accuracy and performance. Available in several varieties, and with a kerf specific to your application.

To help us quote the right blade for you, please [contact](#) one of our knowledgeable sales staff and let us know about your application and what goals you are looking to achieve.

[sales@superthinsaws.com](mailto:sales@superthinsaws.com)